

Project Name: _____
 Location: _____
 Engineer: _____
 Submitted to: _____
 Submitted by: _____
 Reference: _____

Approval: _____
 Date: _____
 Construction: _____
 Unit #: _____
 Drawing #: _____

Performance

<i>Indoor Unit Model No:</i>	FXFQ48PVJU
<i>Cooling Capacity (Btu/hr):</i>	48000
<i>Sensible Capacity (Btu/hr):</i>	35300
<i>Cooling Input Power (kW):</i>	0.24
<i>Heating Capacity (Btu/hr):</i>	54000
<i>Heating Input Power (kW):</i>	0.232
<i>Nominal Ext Static Pressure (inH2O):</i>	0
<i>Max Ext Static Pressure (inH2O):</i>	0

<i>Indoor Unit Type:</i>	Round Flow Cassette
<i>Cooling Nominal Conditions</i>	Indoor: 80°F DB/67°F WB Outdoor: 95°F DB
<i>Heating Nominal Conditions</i>	Indoor: 70°F DB Outdoor: 47°F DB/43°F WB
<i>Nominal Piping Length</i>	25
<i>Nominal Height Separation</i>	0

Indoor Unit Details

<i>Power Supply (V/Hz/Ph):</i>	208-230/60/1ph
<i>Power Supply Connections:</i>	L1, L2, Ground
<i>Min. Circuit Amps MCA (A):</i>	1.5
<i>Max. Fusible Amps MFA (A):</i>	15
<i>Dimensions (HxWxD):</i>	11-5/16x33-1/16x33-1/16
<i>Panel (HxWxD):</i>	2x37-3/8x37-3/8
<i>Net Weight (lbs):</i>	55
<i>Weight with Panel (lbs):</i>	67.2

<i>Airflow Rate (CFM wet coil)</i>	1220/970/790
<i>Moisture Removal (pt/h):</i>	
<i>Gas Pipe Connection (inch):</i>	5/8
<i>Liquid Pipe Connection (inch):</i>	3/8
<i>Condensate Connection (inch):</i>	1-1/4
<i>Sound Pressure Level (dBA):</i>	45
<i>Sound Power Level (dBA):</i>	

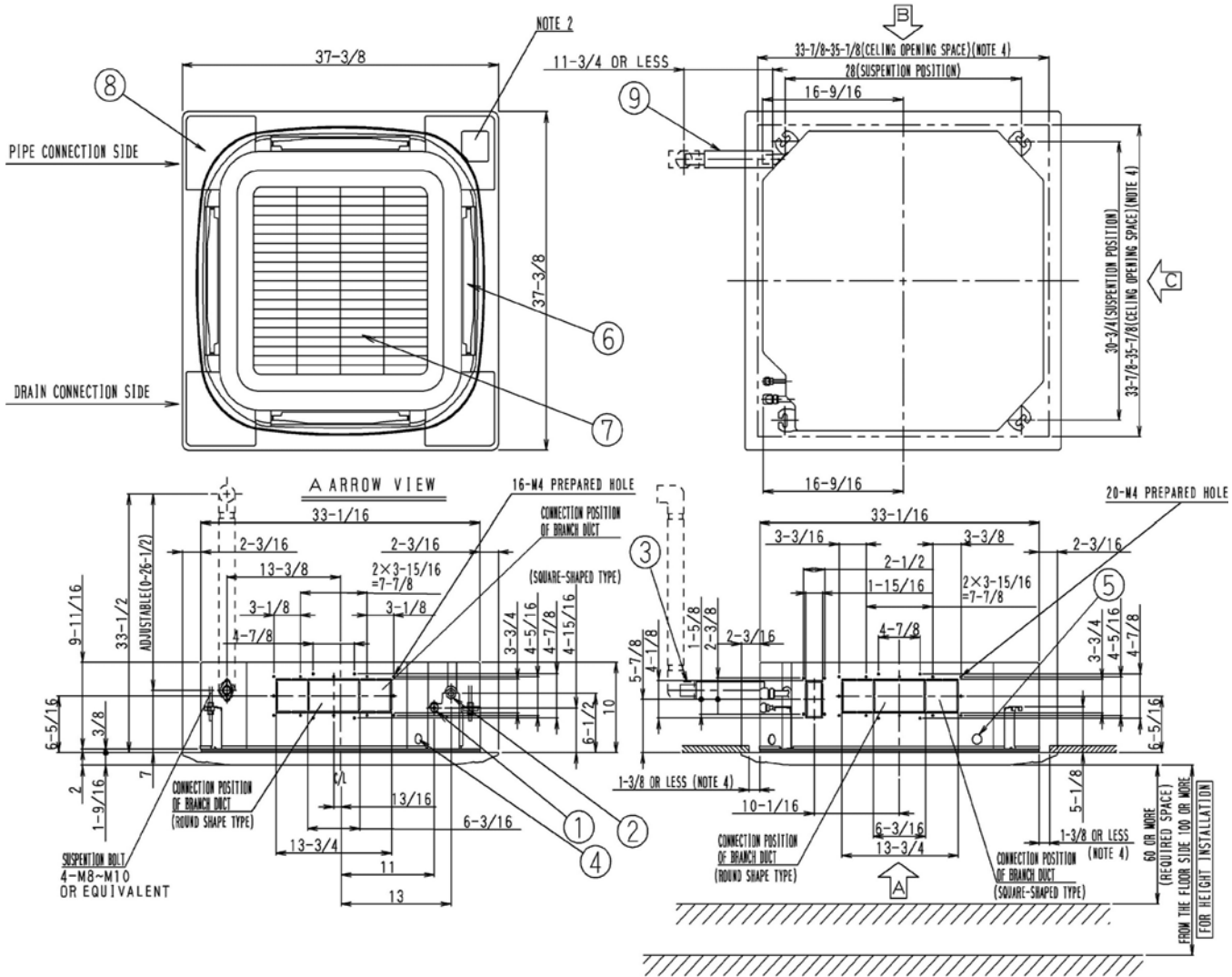
Appearance - Indoor Unit



Project Name: _____
 Location: _____
 Engineer: _____
 Submitted to: _____
 Submitted by: _____
 Reference: _____

Approval: _____
 Date: _____
 Construction: _____
 Unit #: _____
 Drawing #: _____

Dimensional Drawing - Indoor Unit



Project Name: _____
Location: _____
Engineer: _____
Submitted to: _____
Submitted by: _____
Reference: _____

Approval: _____
Date: _____
Construction: _____
Unit #: _____
Drawing #: _____

Notes

Std U.S. Warranty: 6yrs Compressor, 1yrs Parts, 1yr Limited Labor